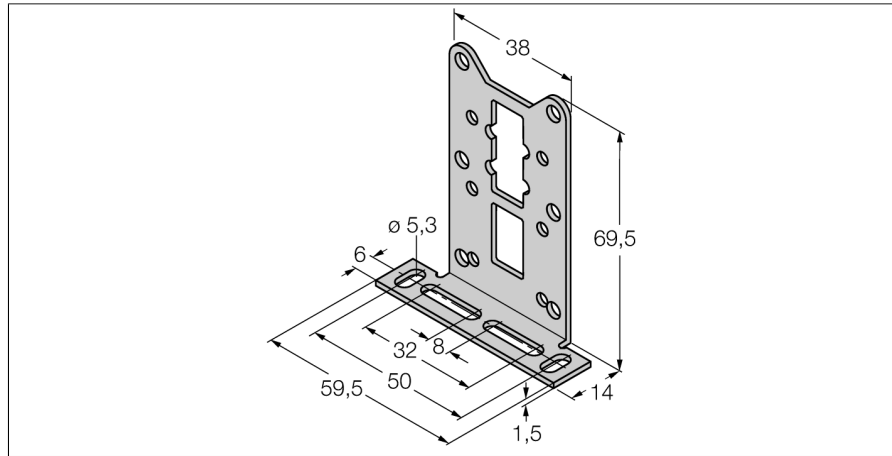


Mounting Accessories

Mounting bracket

MW-Q14/Q20



- Mounting bracket
- Stainless steel: VA 1.4301

Type	MW-Q14/Q20
ID	6945006
Design	Accessories for rectangular sensor, Q14/Q20
Dimensions	69.5 x 59.5 x 14 mm
Housing material	Metal, 1.4301 (AISI 304)