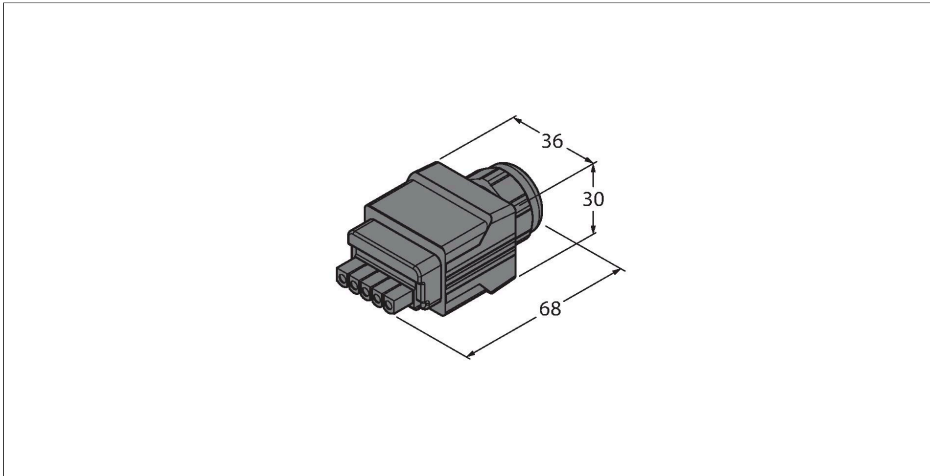


# AIDA-POWER-CC

## Field-Wireable Connector – Push-Pull Power Connectors

### According to AIDA

#### Male Connector, Straight



#### Features

- Tension spring connection
- 5-pin
- Cable feedthrough: 9.0...13.0 mm
- Terminal capacity: 18-13 AWG
- RoHS-compliant
- Protection class: IP65 and IP67

#### Headline Wiring Diagram



#### Technical data

Type	AIDA-POWER-CC
ID	6935632
Connector A	Male, Straight
Number of pins	5
Contacts	CuZn, Gold-plated
Contact carriers	Plastic, Black
Connector body	Die-cast Zinc, GD-Zn, nickel-plated
External diameter of the cable	9...13 mm
Core cross-section/Clamping ability	2.5 mm <sup>2</sup>
Connection mode	Tension spring connection
Mechanical lifespan	> 500 Mating cycles
Protection class	IP65, IP67
<b>Electrical properties at +20 °C</b>	
Rated voltage	24 V
Current	16 A
Insulation resistance	≥ 10 <sup>8</sup> Ω
<b>Mechanical and chemical properties</b>	
Ambient temperature (fixed)	-40...+70 °C