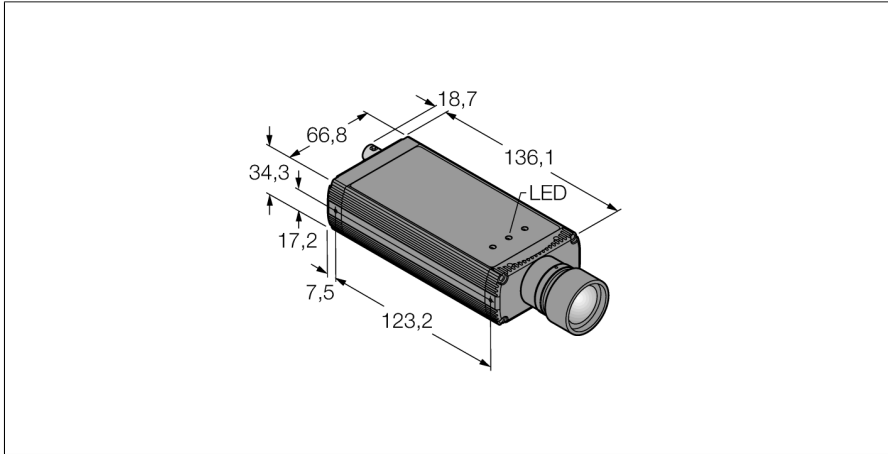


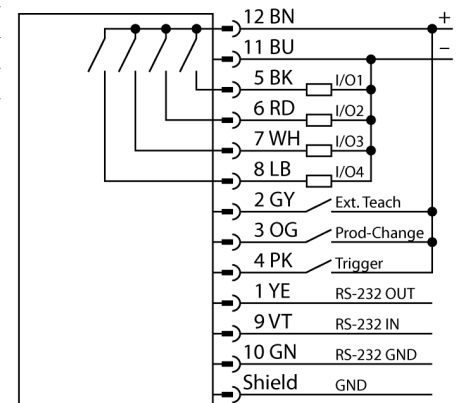
Image Processing Camera with Integrated Analysis P4OI



Type	P4OI
ID	3075300
Camera data	
Function	Multifunctional
Resolution	640 × 480 pixels
Electrical data	
Operating voltage U_s	10...30 VDC
DC rated operating current I_s	≤ 650 mA
Communication protocol	EtherNet/IP Modbus TCP Modbus TCP PCCC RS232
Output function	NO contact, PNP/NPN
Power on display	LED, Green
Switching state	LED, Green
Error indication	LED, red
Mechanical data	
Design	Inline, P4
Housing material	Metal, AL
Electrical connection	Connector, M12 × 1, 12-wire
Ambient temperature	0...+50 °C
Protection class	IP20
Tests/approvals	
Approvals	CE

- Full scope of function, AREA, EDGE and GEO
- 1/3" CCD, 640x480 pixels
- 256 gray scale values
- One-piece design with camera and integrated controller
- Lens connection in longitudinal axis of housing
- protection class IP20
- Lens to be ordered separately
- Operating voltage: 10...30 VDC via M12 x 1 male, 12-pin
- External trigger input
- External strobe output, M8x1, 3-pin
- EtherNet/IP and Modbus TCP interface via RJ45
- RS232 data communication
- Coaxial BNC video connection cable

Wiring Diagram



Functional principle

The camera system PresencePLUS P4 consists of a camera with an integrated processing unit. Lens, lighting and connection cable are to be ordered separately. Freeware and firmware updates are available for download on:

www.bannerengineering.com