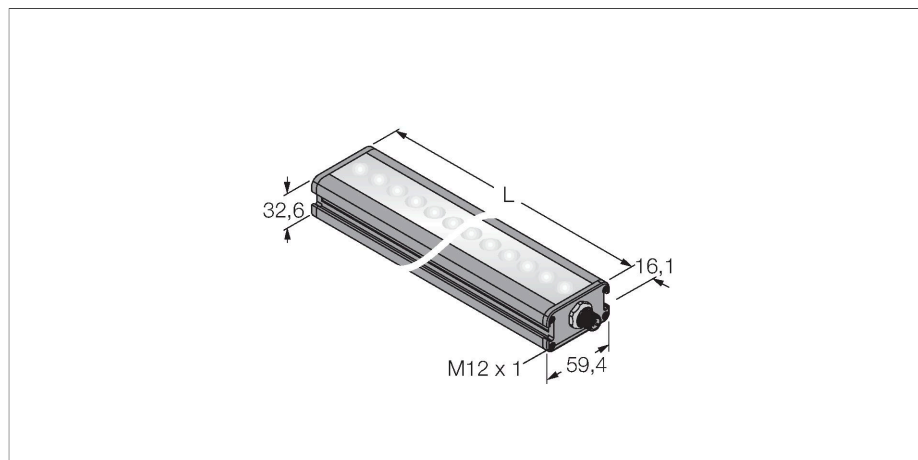


LEDWLA435XD6-XQ

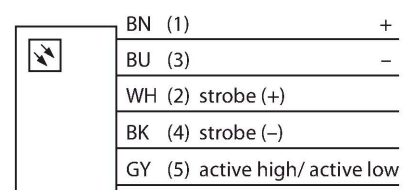
Vision System – Linear Area Light



Features

- High-Intensity
- Protection class: IP50
- Color: white
- Power supply: 24 VDC
- M12 x 1 male

Wiring diagram



Functional principle

High-intense illumination of large areas at long distances.

Technical data

| | |
|------------------------------------|-------------------------|
| Type | LEDWLA435XD6-XQ |
| ID | 3012830 |
| Signal and display data | |
| Purpose | Image processing |
| Function | Linear light |
| Light type | White |
| Color temperature | 5000...+8300 K |
| Beam angle | 6.5° |
| LED service life (L70) | 50000 h |
| Features of color 1 | White |
| Special features | Wash down |
| Electrical data | |
| Operating voltage U_b | 24 VDC |
| DC rated operating current I_o | ≤ 1500 mA |
| Max. current consumption per color | 1500 mA |
| Mechanical data | |
| Design | Rectangular |
| Dimensions | 478.1 x 59.4 x 32.6 mm |
| Housing material | Metal, Anodized AL |
| Window material | Plastic, diffuse |
| Electrical connection | Connector, M12 × 1, PVC |
| Number of cores | 5 |
| Ambient temperature | 0...+50 °C |
| Protection class | IP50 |
| Tests/approvals | |
| Approvals | CE, cULus listed |

